



Features

- 20A switching current
- With TV-8 125VAC load capacity
- Product in accordance to IEC60335-1 available
- Surge voltage up to 6LV between coil and contacts, dielectric strength 3KV

Safety Approval

UL, TUV, CQC

Contact capacity

Model	Y3U		
Contact resistance	NO/NC:17A/10A 250VAC		
Max switching current	20A	17A	17A
Max switching voltage	125VAC	277VAC	30VDC
Max switching power	2500VA	4709VA	510W

Performance Data

Contact material	Silver alloy	
Contact resistance	100mΩ Max.	
Operate time	10msec. Max.	
Release time	5msec. Max.	
Insulation resistance	1000MΩ Min.(DC500V)	
Dielectric strength	Between contact and contact: AC1,000V, 50/60Hz 1Min.	
	Between contact and coil: AC3,000V, 50/60Hz 1Min.	
Vibration Resistance	Functional	10-55Hz, at double amplitude of 1.5mm
	Destructive	10-55Hz, at double amplitude of 1.5mm
Shock Resistance	Functional	10G Min.
	Destructive	100G Min.
Endurance(Operations)	Mechanical at 18,000 OPS.h	10,000,000 OPS
	Electrical at 18,00 OPS.h	100,000 OPS
Ambient Temperature	-40°C ~ +105°C (No Condensation)	
Unit Weight	Approx. 11g	

Coil Data(at 20°C)

Rated voltage (VDC)	Rated Current ±10% (mA)	Coil resistance ±10% (Ω)	Max continuous applied voltage	Release voltage (Max.)	Release voltage (Min.)	Rated power
3	120.00	25	130% of rated voltage	75% of rated voltage	5% of rated voltage	Approx 0.36W
5	71.43	69.5				
6	60.00	100				
9	40.00	225				
12	30.00	400				
15	24.00	625				
18	20.00	900				
24	15.00	1600				
36	10.00	3600				
48	7.50	6400				

Coil Data (at 20°C)

Rated voltage (VDC)	Rated Current ±10% (mA)	Coil resistance ±10% (Ω)	Max contiuous applied voltage	Release voltage (Max.)	Release voltage (Min.)	Rated power
3	150.00	20	130% of rated voltage	75% of rated voltage	5% of rated voltage	Approx 0.45W
5	90.09	55.5				
6	75.00	80				
9	50.00	180				
12	37.50	320				
15	30.00	500				
18	24.00	750				
24	18.75	1280				
36	12.50	2880				
48	9.38	5120				

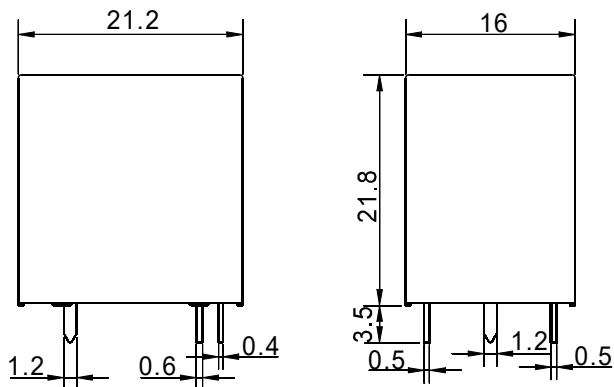
Approval Rating

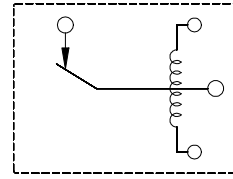
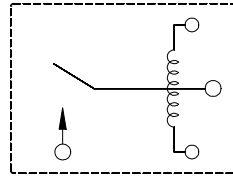
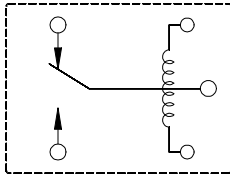
Certificate Type	CQC	TUV	UL
Approval Ratings	NO: 20A 125VAC 17A 277VAC/250VAC 10A 277VAC/250VAC 17A 30VDC 10A 30VDC NC: 17A 277VAC/250VAC 10A 277VAC/250VAC 17A 30VDC 10A 30VDC	A Type: 17A 250VAC/277VAC B Type: 10A 250VAC/277VAC C Type: NO/NC: 17A/10A 250VAC 17A/10A 277VAC 17A/10A 30VDC	NO: 20A 125VAC 17A 277VAC/250VAC 10A 277VAC/250VAC TV-8 125VAC 1HP 250VAC/240VAC NC: 10A 277VAC/250VAC

Ordering Information

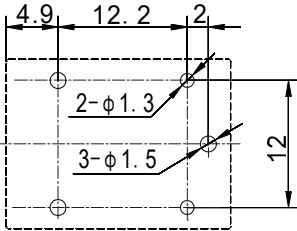
Ordering Information							
Y3U	SS	-1	12	D	M	F	XXX
Special Parmeter: Nil----Standard Type, Letter or number means special requirement.							
Material type : Blank: Standard type F: Glow wire product							
Contact Arrangement : M: 1 Form A B: 1 Form B Blank: 1 Form C							
Coil Nominal Power: L—0.36W D—0.45W							
Coil Voltage(VDC):3,5,6,9,12,15,18,24,36,48							
Contact of Pole:1—Single Pole							
Enclosure:SS—Flux-tight SH—Sealed Case							
Type: Y3U							

Outline Dimensions, Wiring Diagram, PCB Board Layout

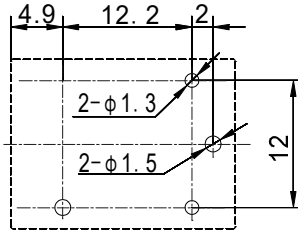




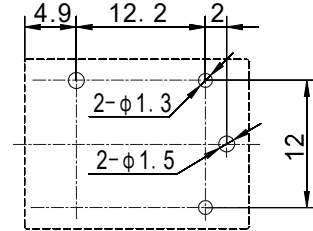
Wiring Layout(Bottom View)



1C



1A



1B

PCB Layout(Bottom View)

Unmarked dimension tolerance
 < 1mm: ±0.2mm
 1~5mm: ±0.3mm
 > 5mm: ±0.4mm

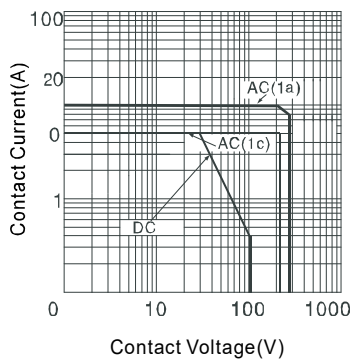
Remark:1.Extended terminal Dimension is before soldering
 2.The tolerance for PCB Layout:±0.1mm

Typical Use

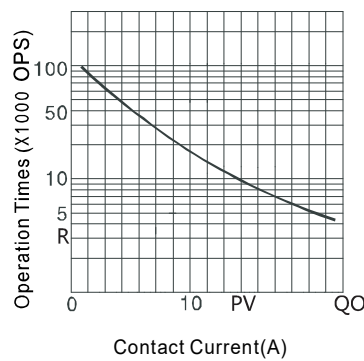
- Home Appliances,Air Condition,Heater,Air Fryer,etc
- Office equipment:Computer,Fax Machine,etc
- Automotive Electric Controlled Window,Automotive Antenna,Door Lock,etc
- Vending Machine

Characteristic Curves

Max.Switching Power



Electric Endurance Curve



Coil Temp.Rise

